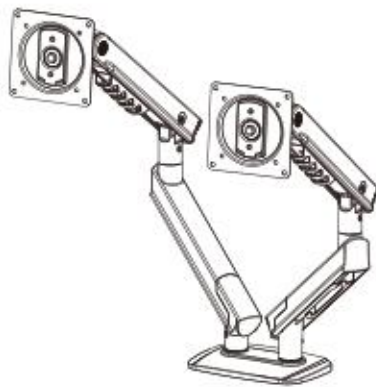




Ergonomic Desktop Monitor Arm Installation Manual



- Fit: 17"-32"
- VESA: 75x75, 100x100mm
- Load Capacity: 4.4-19.8 lbs (2-9kg)
- TUV Rheinland CERTIFIED



Multi-Language Manual (PDF Download) | Installation Video (English Version) | 安装指南 (中文版)

Please ensure you have read all safety instructions and installation steps before starting assembly. Incorrect installation may cause injury or product damage.

- If you do not understand any part of this manual or encounter issues, please seek assistance from your local dealer or service support.
- Subtable for 17"-32" monitors, maximum load capacity, 9kg / 19.8 lbs.
- This product must be installed on a stable and level surface. Do not install on unstable or tilting furniture.
- For safe installation, the desk used for mounting must be sturdy and stable, capable of supporting three times the total load (including the mount, monitor, laptop, and all accessories).
- Do not use this product for any purpose other than its intended design.
- Operate only with components and instructions provided with the product to ensure safe use.
- When installing a monitor or laptop, do not damage the power supply or cables. Installation and wiring must be secure to prevent twisting or straining.
- The manufacturer disclaims all liability for unauthorized modifications, improper installation, use beyond the specified load range, or misuse. The manufacturer is not responsible for any damage or injury arising from the use or inability to use the product.
- This product is designed for indoor use only. Using it outdoors may cause product failure or personal injury.
- This product contains a high-pressure mechanical spring. Do not strike, disassemble, or expose to impact. For disposal or repair, return to the manufacturer or authorized professionals. To maintain performance, adjust and move the arm through its full range monthly.
- To avoid injury or screen damage, always raise the stand to its highest position before removing or installing the monitor.

The manufacturer reserves the right to modify the contents of this manual at any time without prior notice.

Standard Implemented: Q/320583AJHJ 001-2025 (Enterprise Standard)

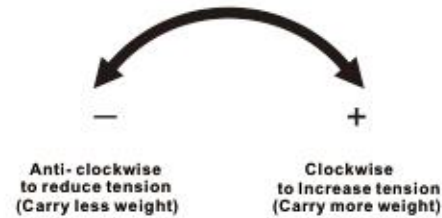
	Tightening Direction loosening Direction		Warning
	+ Tightening - loosening		By Hand
	Phillips Screwdriver		Hex Wrench

TENSION ADJUSTMENT AFTER MOUNT INSTALLED



1. Read your display packaging or manual to find out display net weight.
2. Ensure display net weight between 4.4-19.8 lbs (2-9 kg)
3. Ensure display has been put onto mount.

Adjustment sign



Warning !



Parent Company :
Kunshan Hongjie Electronics Co.,Ltd
No.1050, Fu Chun Jiang Road, Economic Development Zone,
Kunshan City, Jiangsu, China.215333

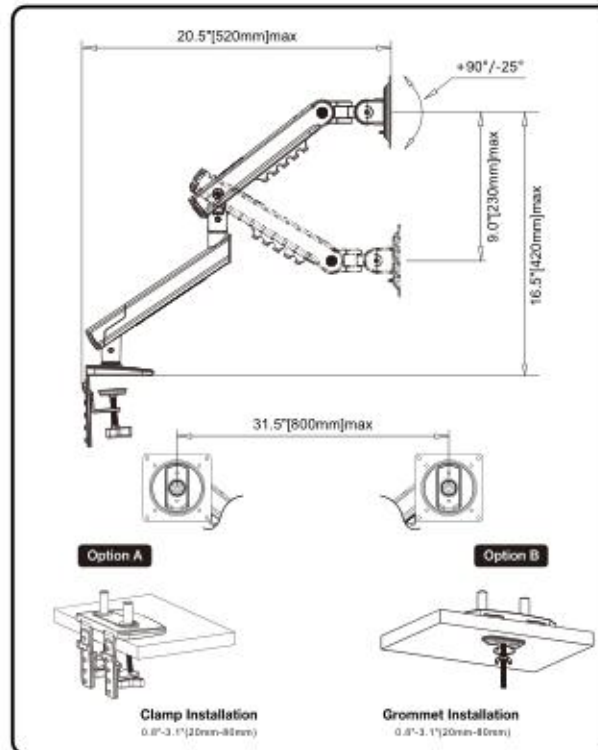
Manufacturer :
Anhui Hongjie Ergonomic Technology Co.,Ltd
No.10 Guangping Road, Economic Development Zone,
Guangde, Xuancheng City, Anhui, China.242200
Email: info@NBergonomic.com www.NBergonomic.com

Installation Manual

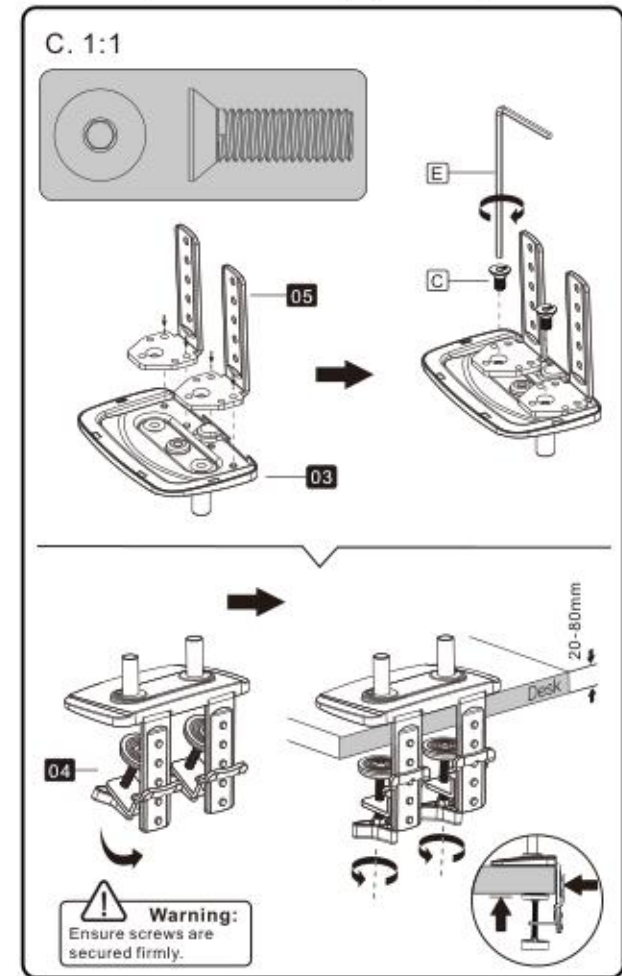
Clamp Installation Grommet Installation

Parts List			
1	2x	4	2x
2	2x	5	2x
3	1x	6	2x
A	8x M4x12	B	8x M4x30
C	2x M8x25	D	Butterfly nut Carriage Bolts
E	4mm	F	Locking plate
G	8x H13	H	8x H5

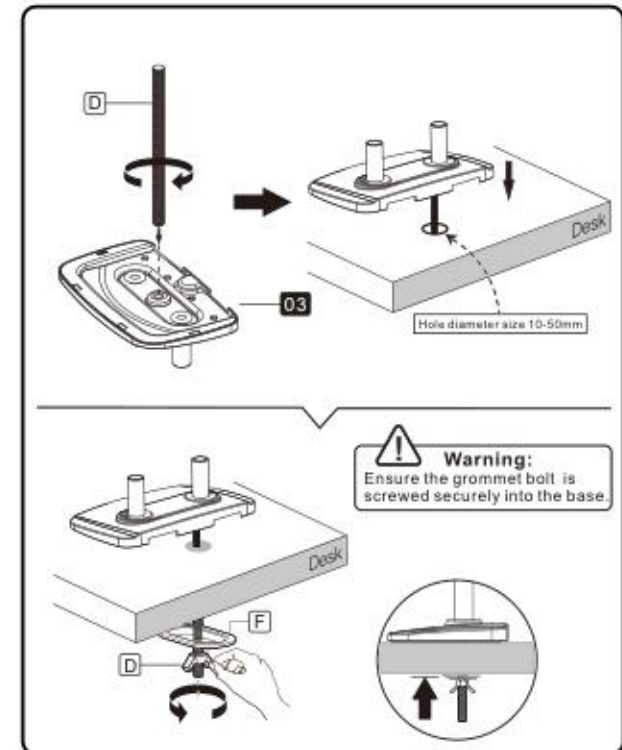
Adjustable Parameters



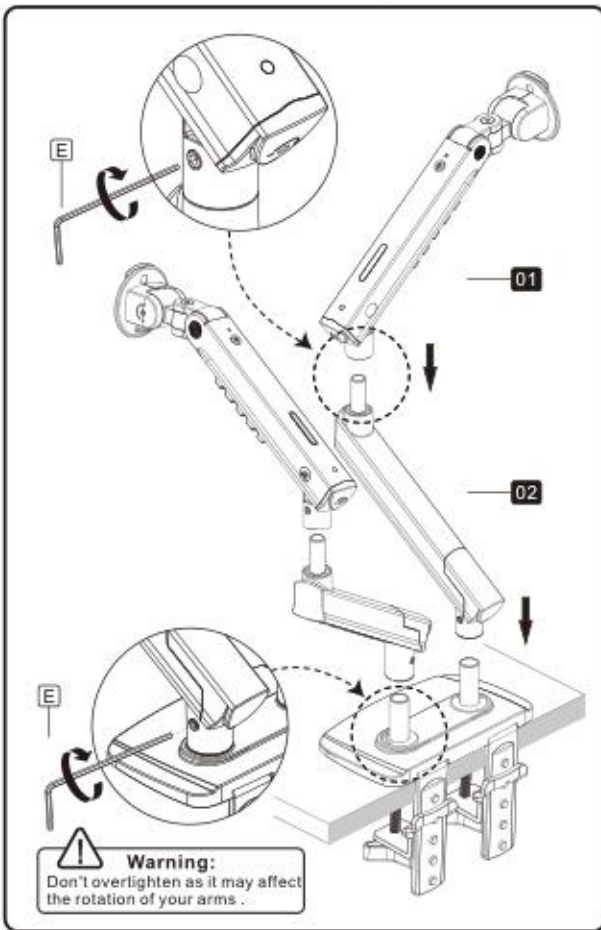
A1. Clamp Installation (Option A)



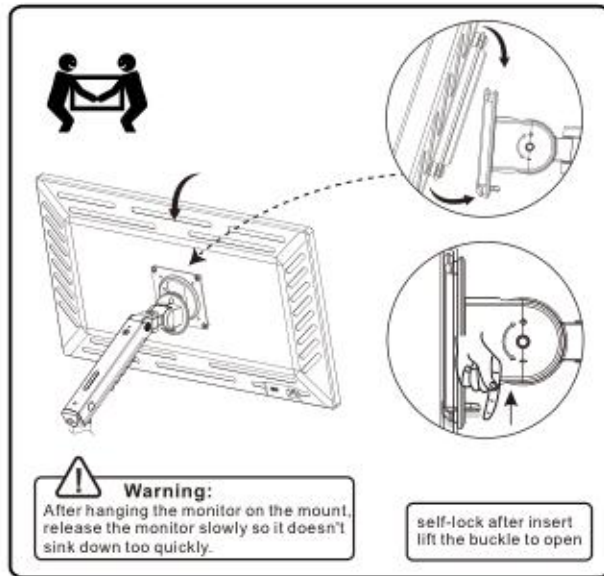
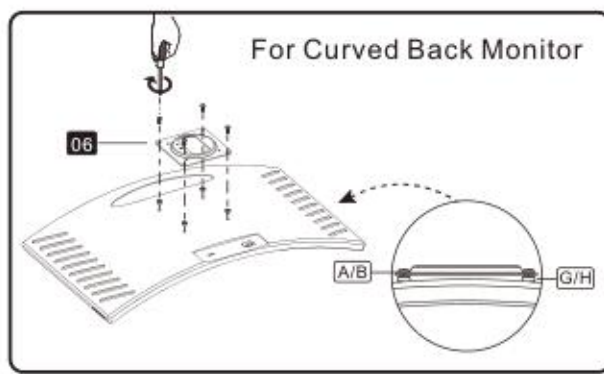
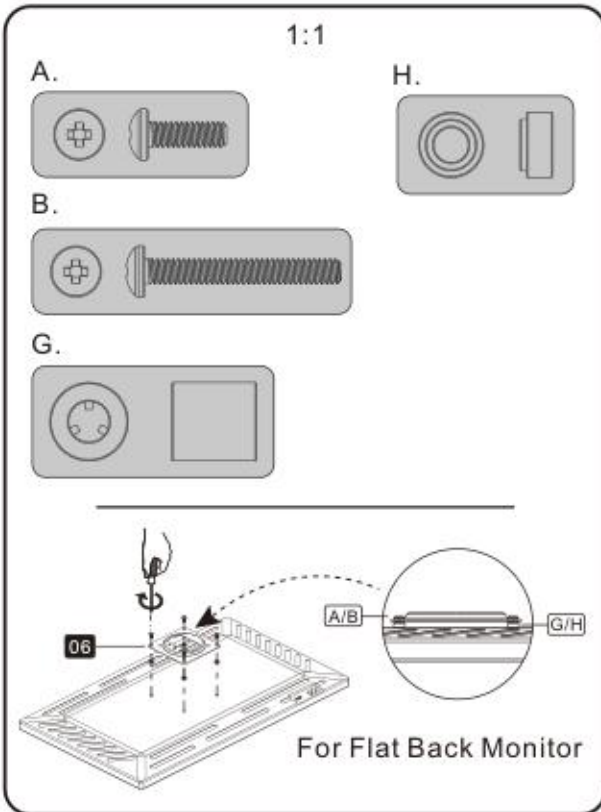
A2. Grommet Installation (Option B)



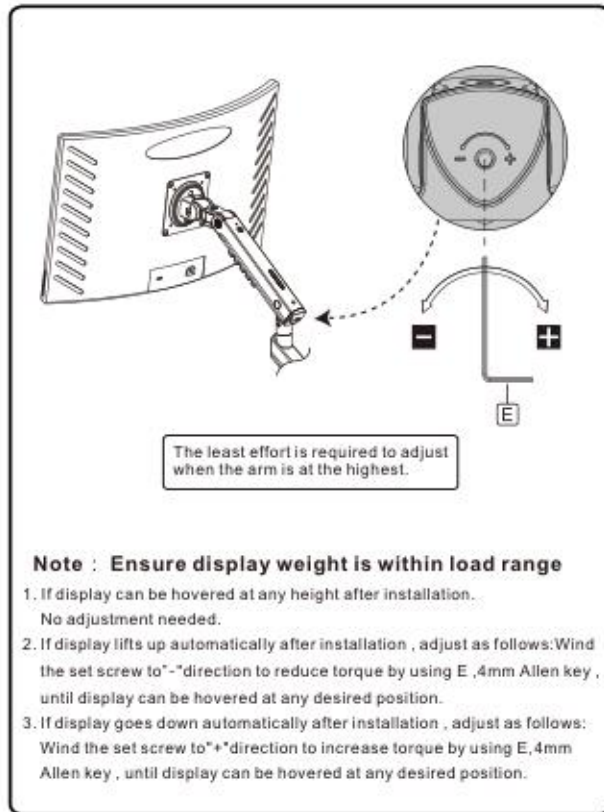
B. Attach the Arm Assembly to the Base



C. Display Installation



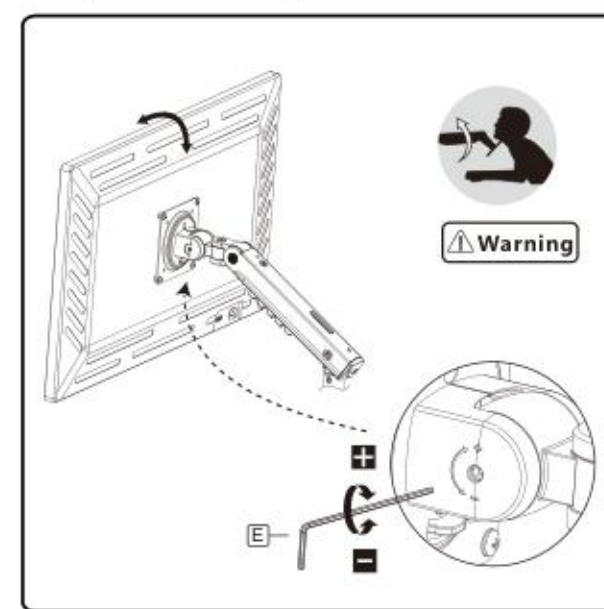
D. Adjust Spring Tension



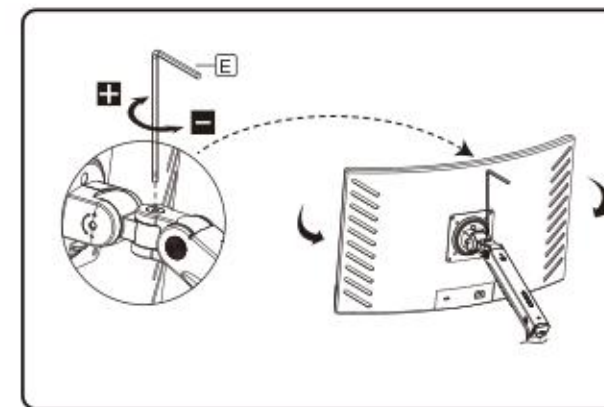
Note: Ensure display weight is within load range

1. If display can be hovered at any height after installation. No adjustment needed.
2. If display lifts up automatically after installation, adjust as follows: Wind the set screw to "-" direction to reduce torque by using E, 4mm Allen key, until display can be hovered at any desired position.
3. If display goes down automatically after installation, adjust as follows: Wind the set screw to "+" direction to increase torque by using E, 4mm Allen key, until display can be hovered at any desired position.

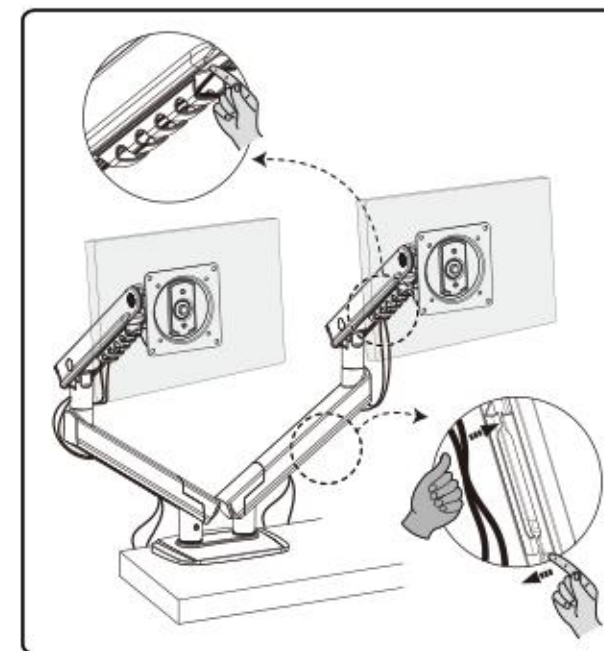
E. Adjust the Tilt Angle of the Monitor



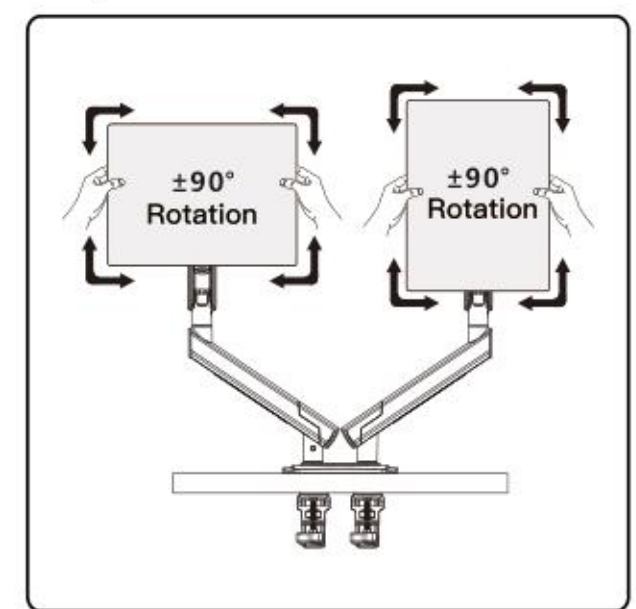
F. Left and Right Swivel Adjustment



G. Power and Display Cable Installation



H. Adjust the Rotation of the Monitor



I. Adjust the Swivel Position of the Monitor

